

# **Hammock**

## **Installation Instructions**



NOTES: Please check for any damage caused by the shipping company and take appropriate steps to file a claim, if needed.

\*Please call **Digsafe** and check for any underground utilities before digging anywhere.

### **Materials needed**

Post hole shovel, level, tape measure, 4 pieces of 6' long strapping, 4 pointed stakes, 8 sheetrock screws, screw driver, screw gun, and 14 - 50 lb bags of fast setting concrete (not provided, varies depending finished hole depth). Concrete amounts can be easily calculated at <http://www.quikrete.com/Calculator/Main.asp>. The amount required depends on how deep you can get the holes.

### **Instructions**

1. Remove items from pallet. You should find two 6' +/- posts with hardware packages, one (1) hammock with adjusting chain on both ends. Obviously, if you ordered the two or three hammock package, follow these same guidelines, revising them for additional hammocks.
2. Install eye lags into pre-drilled holes in posts. A screw driver inserted through the hole in the lag will help get the necessary torque to install into post.
3. Pick out the location for the hammock. Stretch out the hammock on the ground, pull the ends/chains/rope tight (don't forget, it'll sag with weight in it), and mark where you want the posts.

*\*Note:* The top lip of the cloth in the center of the hammock should be about 18 inches above the ground, so stretch your posts out accordingly. Because cloth stretches, you'll need to confirm this as you are installing the posts. When a child sits on the edge of the hammock, it should deflect to about 12 inches above the ground, thus negating the need for a fall zone under the hammock.

4. Dig 12" diameter post holes, using post hole shovel or post hole digger. See detail
5. Set post hole depth to approximately 3'-7" into ground (depending on soil and frost conditions, bottom may be cut off post if digging holes full depth is too difficult. A minimum rule of thumb is that one third of the total post height should be in the ground. If possible use entire post. Fill bottom 6" of hole with 3/4" drainage stone (to help prevent heaving in frost conditions).
6. Set first post into the hole. Top of post should be 28" above the finished ground level (add or remove fill below post as needed). Twist post to desired orientation, making sure the hardware on the post is facing the other post. The eye that the hammock connects to should be 24" above the finished surface.
7. Using sheetrock screws, attach strapping to 2 adjacent sides at the top of each post, other ends of strapping on the ground. Drive stakes next to strapping 1' in from ends of strapping.
8. Use level on 2 adjacent sides of posts to make sure posts are plumb in both directions, and then screw strapping into stakes to hold posts plumb.
9. Set second post into second hole. Make sure the post bottoms are still separated by the desired amount. Follow #5, 6, and 7 above.
10. Mix concrete per instructions on bag, pour into hole, use rebar or stick to stir concrete in hole and punch out air holes, then let concrete cure. A 12" wide 48" deep hole will require approx. 7 of 50# bags of quick dry concrete.

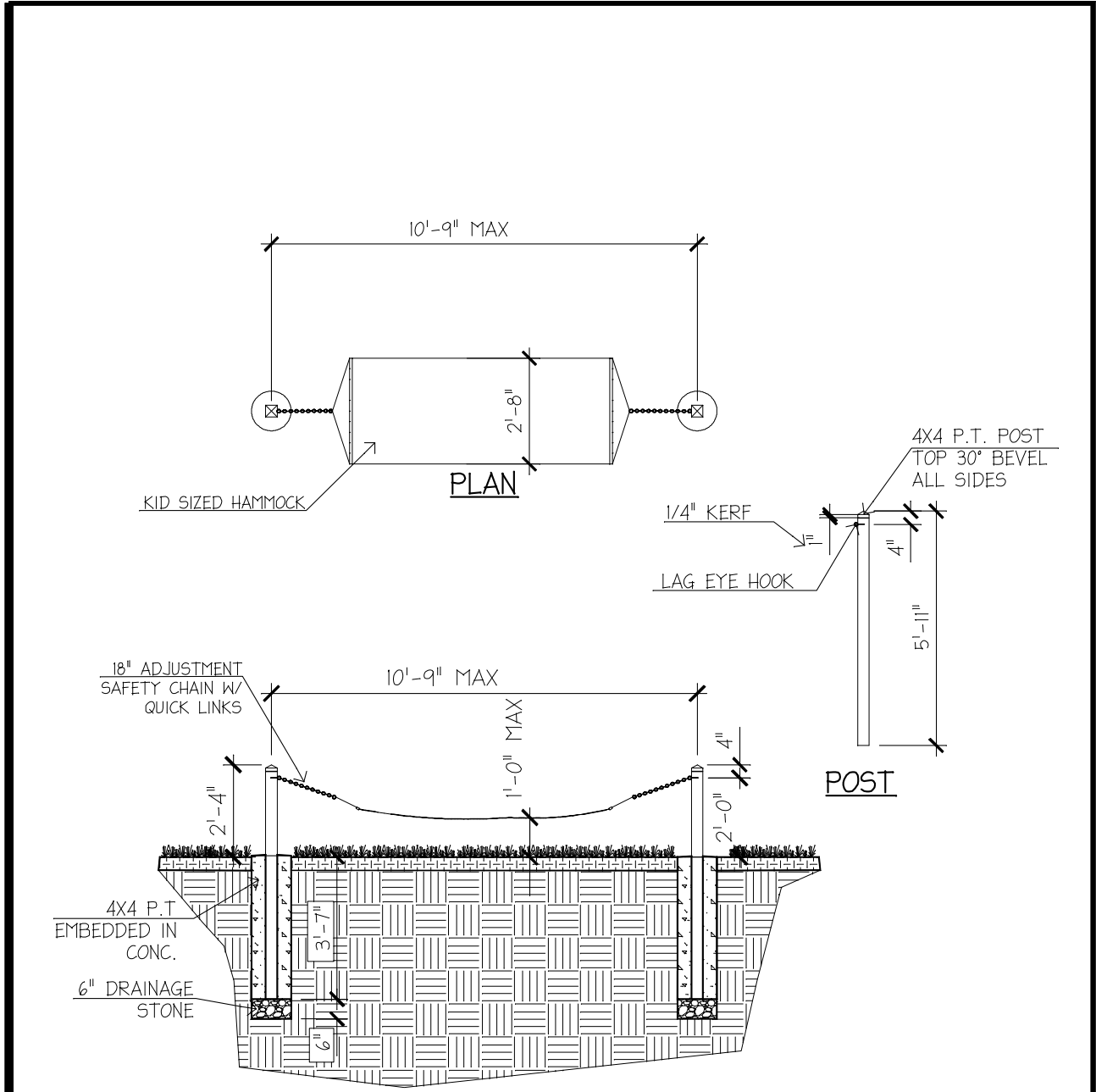
# **Hammock**

## **Installation Instructions**

11. After concrete cures, backfill holes and hand tamp good draining soil firmly to 3" below finished grade, install top soil to finish grade and plant grass to fill in around holes.
12. Attach the hammock using hardware provided. Hammock should be 12" above ground when children are sitting in it. Adjust the ends depending on size/weight of children/adults using. Check tension periodically as hammock will stretch and shrink on use and exposure to weather.

# Hammock

## Installation Instructions



### 5 TO 8 SIZED HAMMOCK

N.T.S.



ITEM:  
STANDARD DETAIL

DRAWN BY: JHM  
SCALE: AS NOTED DATE: 10/30/12

SHEET TITLE:

D-1